

SMART STEAM TRAP

MODEL
SVT™

Description

The SMART SVT™ Venturi Steam Trap is designed for multipurpose applications from line drainage and trace heating, through small to medium heat exchanger applications. The trap has a primary and secondary integrated strainer and a removable Venturi insert. The body of the steam trap does not have to be removed from the line for maintenance purposes. Access to the Venturi insert and both primary and secondary strainers is via the top and bottom caps.

Sizes and Connections

DN15 (1/2"), DN20 (3/4")

Threaded / Socket Weld

Pressure / Temperature Limits

PMA (Maximum Allowable Pressure) 100 bar g (1450psi g)

TMA (Maximum Allowable Temperature) 400°C (750°F)

PMO (Maximum Operating Pressure) 62 bar g (899 psi g)

Optional Extras

Blow down valves for periodic cleaning of the filter.

Secondary magnetic filter.

Flanges to your specifications can be added to socket weld connection.

Guarantee

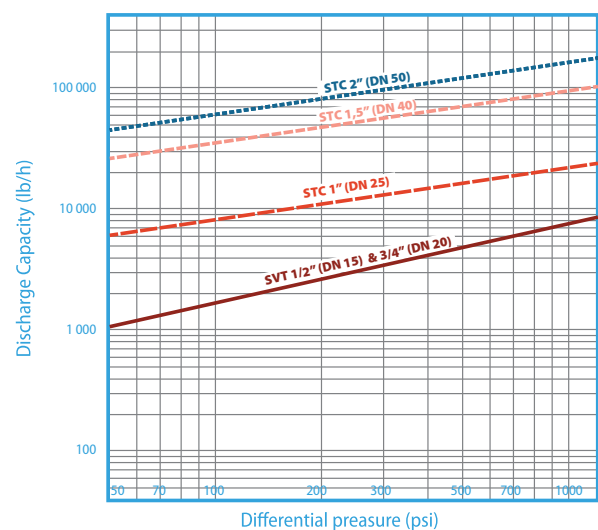
20 year product guarantee as per standard terms and conditions.

Benefits

1. No moving parts to fail
2. Stainless steel construction; 20 to 30 year lifetime
3. Wide range of capacities
4. 20 year performance and materials warranty
5. Permanent 20-30% energy reduction; 1-2 year ROI typical
6. Significant lifetime labor and material savings
7. Dual strainer system built-in (SVT models)
8. Top and bottom cap for easy access to strainers
9. Inverted cone to deflect blockages
10. Can be installed in any orientation
11. Supplied with sizing and engineering services
12. Replaceable Venturi inserts for precise sizing



CAPACITY CHART



BLUE ENERGY TECHNOLOGIES

USA Division: +1 562 888 0178
EU Division: +370 685 71393
info@blueenergytechnologies.com



blue
energy
technologies™

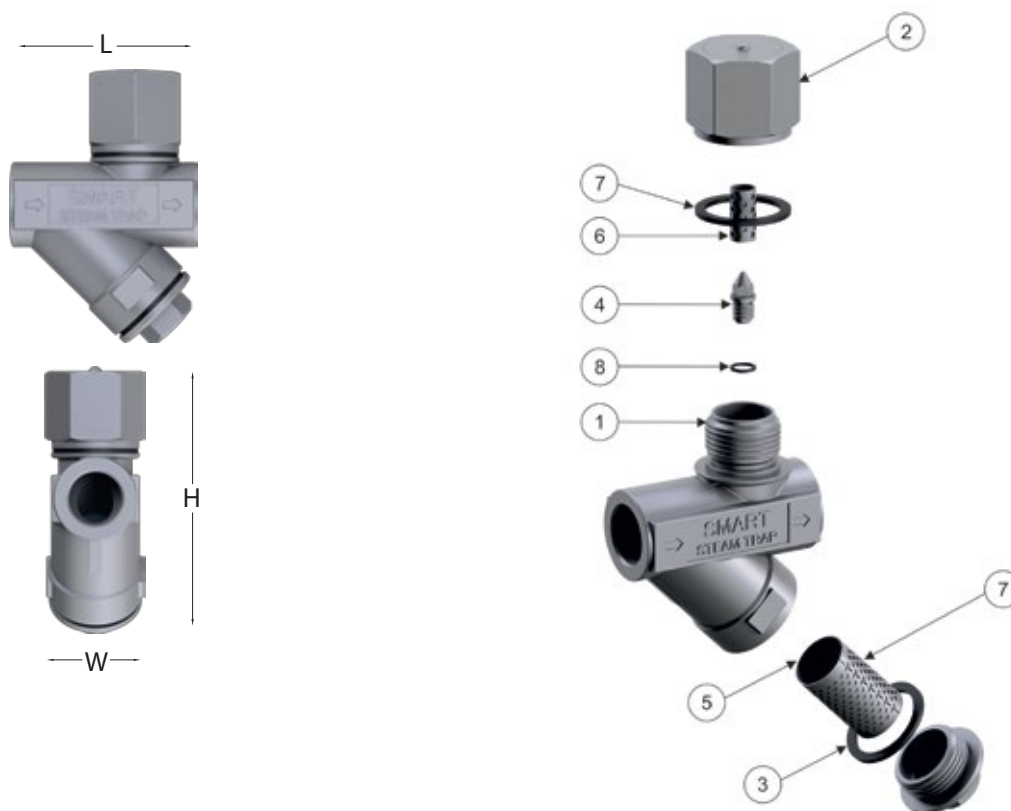
SMART STEAM TRAP™

RELIABILITY SIMPLICITY SUSTAINABILITY

SMART STEAM TRAP

MODEL
SVT™

Assembly



Dimensions and Weights

Size	Connection	L	H	W	Weight
DN15 (1/2")	DN15 Threaded NPT, BSP / Socket Weld	3.07 in/78 mm	4.49 in/114 mm	1.65 in/42 mm	2.20 lbs/1 kg
DN20 (3/4")	DN20 Threaded NTP, BSP / Socket Weld	3.07 in/78 mm	4.49 in/114 mm	1.65 in/42 mm	2.20 lbs/1 kg

Material

1. Body	ASTM A351 – CF3M
2. Top Cap	ASTM A351 – CF3M
3. Strainer Cap	ASTM A351 – CF3M
4. Removable Venturi Insert	304 Stainless Steel
5. Primary Strainer	316 Stainless Steel
6. Secondary Strainer	316 Stainless Steel
7. Gasket	Graphite
8. Venturi Insert Gasket	Graphite

Torque Settings

2. Top Cap	80 Nm
3. Strainer Cap	80 Nm
4. Removable Venturi Insert	10 Nm

*In the interests of development and improvement of the product, we reserve the right to change the specification without notice.

BLUE ENERGY TECHNOLOGIES

USA Division: +1 562 888 0178
EU Division: +370 685 71393
info@blueenergytechnologies.com



blue
energy
technologies™

SMART STEAM TRAP™

RELIABILITY SIMPLICITY SUSTAINABILITY